

**COOLING CAPACITY**

BTU/hr @95 F at 60%RH	13,800 / 1-Ton
-----------------------	----------------

**AIR PURIFICATION**

HEPA Filter	99.9% @ > .12 Microns
UVC Light Wave Length	UVC 17 Watts / Max 85 Watts

**COMPRESSOR DATA**

Compressor Type	Hermetic Rotary
Operating Temperatures	65-105°F 50% RH
Non-CFC Refrigerant	410A

**FAN DATA EVAPORATOR**

Fan Type (Centrifugal)	Direct Drive
Air Flow (CFM)	460 / Single Speed
Supply Air Data	Adjustable Vent
Supply Air Chute Data (Optional)	2 - 5" dia x 16" length

**FAN DATA CONDENSER**

I/O Integral Condenser - In/Out	Balanced Air Flow
Fan Type (Centrifugal)	Direct Drive
Air Flow (CFM)	700
Condenser Duct Data (Optional)	2 - 12" dia x 8' length
Condenser Maximum Duct Length	25'

**ELECTRICAL DATA**

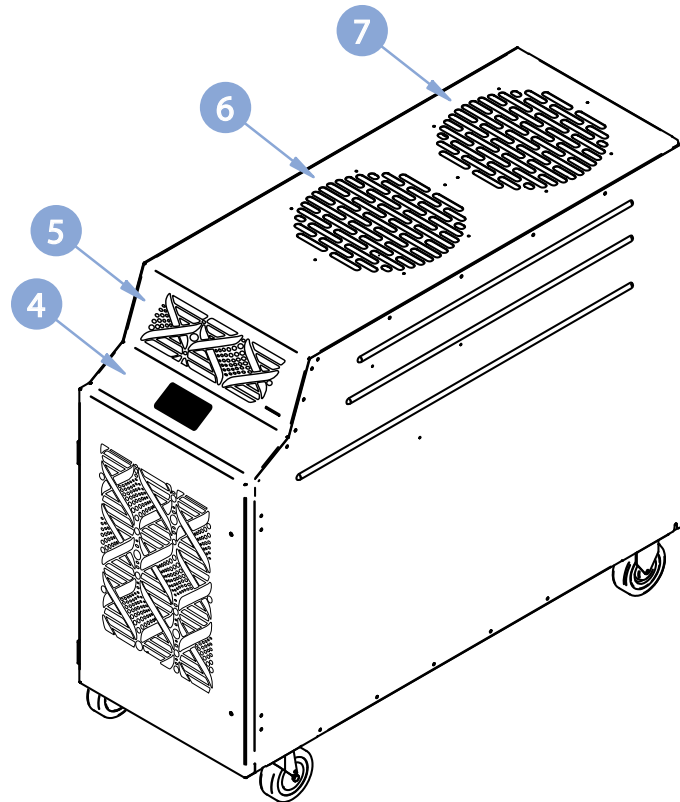
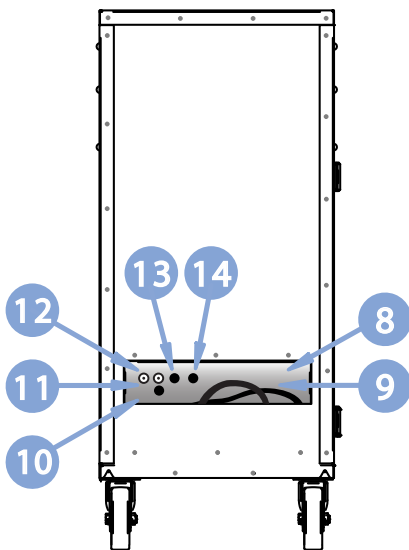
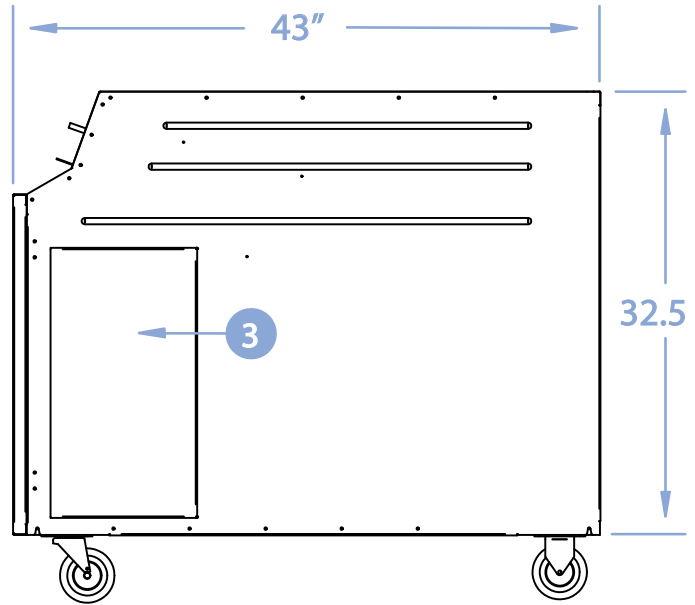
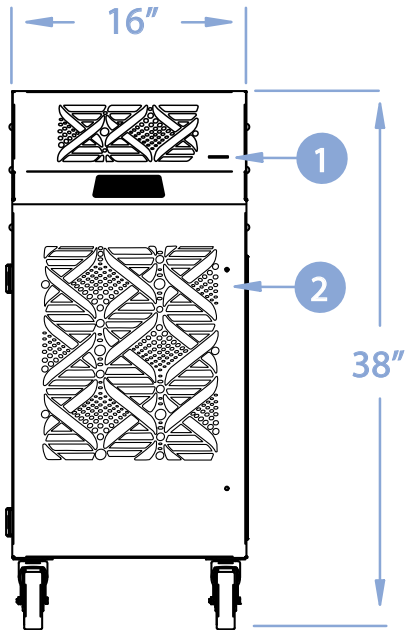
Power Supply (Volts)	115 V / Single Phase
Current Consumption (Amps)	15.8
Power Consumption (kW)	1.55
Maximum Circuit Breaker (Amps)	20
Recommended Breaker Size	20
Minimum Circuit Ampacity (Amps)	18.175
Min/Max Voltage	105 - 125
Power Cord Gauge / Length in Feet	12 AWG / 6'
Plug Configuration	NEMA 5 - 20

**DIMENSIONAL DATA**

Width x Length x Height (inches)	16" x 43" x 38"
Weight (lbs)	230
Shipping Weight (lbs)	265
Ceiling Kit CK-12 Weight (lbs)	17
Shipping Weight with Ceiling Kit (lbs)	282

**SAFETY DEVICE DATA**

Compressor Overload	External
Fan Motor Overload	Automatic Internal
Evaporator Freeze-up	Hot Gas Bypass & Fan Cycling
High Pressure Switch	Manual
Low Pressure Switch	Auto
Compressor Short Cycle	Yes
Automatic Restart	Yes
Condensate Pump Safety Cut-off	Yes
Condensate Tank Overflow	Yes
Thermostat Type	Digital Microprocessor



- |                            |                                |
|----------------------------|--------------------------------|
| 1) Vent Control            | 8) Storage Pocket              |
| 2) Cold Air Return         | 9) Power Cord                  |
| 3) Access Door             | 10) Condensate Alarm Jack      |
| 4) KoolPad Digital Control | 11) Condensate Nipple          |
| 5) Cold Air Supply         | 12) H.P. Reset Switch          |
| 6) Condenser Air Inlet     | 13) Low Pressure Service Port  |
| 7) Condenser Air Outlet    | 14) High Pressure Service Port |