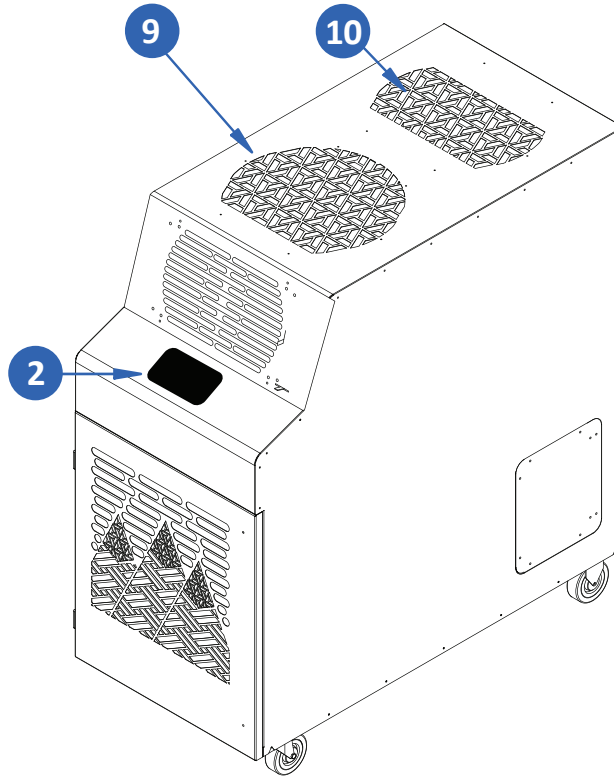
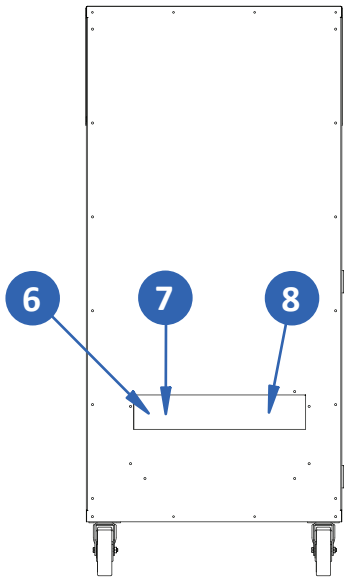
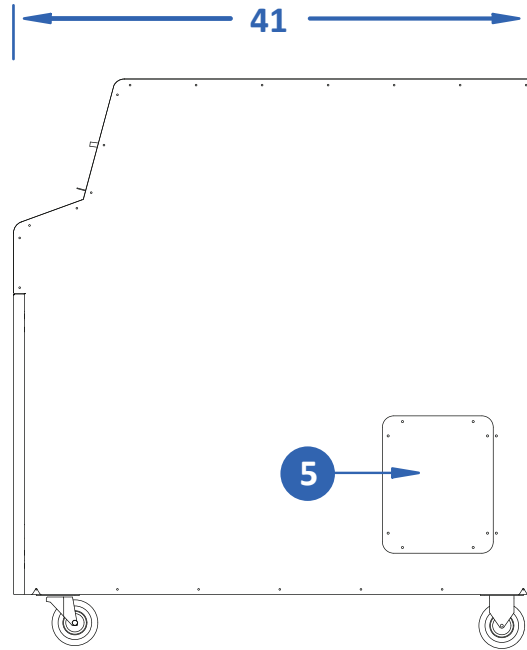
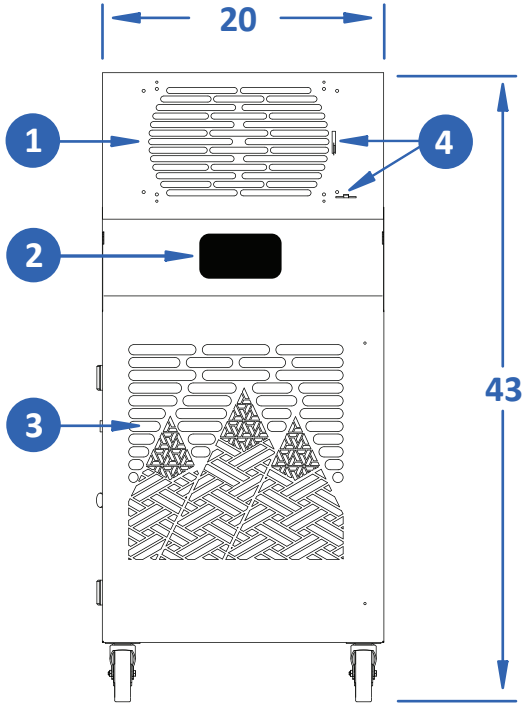


SPECIFICATIONS



KIB 2411-2

COOLING CAPACITY	BTU/hr @ 95F at 60% RH	23,500 (2-Ton)
COMPRESSOR DATA	Compressor Type	Hermetic Recip.
	Operating Temperatures	60-110 F 50%RH
	Refrigerant	410A
FAN DATA Evaporator	Fan Type (Centrifugal)	Direct Drive
	Air Flow (CFM)	725/1 Speed
	Supply Air Device	Adjustable Vent
	Supply Air Chute Kit (optional)	2 - 6" Dia. x 18" Length
Condenser	I/O Integral Condenser	Balanced Air Flow
	Fan Type (Centrifugal)	Direct Drive
	Air Flow (CFM)	1050
	Condenser Duct Specs (optional)	2 - 14" Dia. x 8' Length
	Condenser Duct Max. Length	25'
ELECTRICAL DATA	Power Supply (Volts)	115 Single Phase
	Current Consumption (Amps)	15.9
	Power Consumption (Watts)	1.65
	Maximum Circuit Breaker (Amps)	30
	Minimum Circuit Ampacity(Amps)	21.2
	Min./Max. Voltage	105-125
	Power Cord Gauge/Length	12/6'
	Plug Configuration	NEMA 5-20
DIMENSIONAL DATA	Width x Depth x Height (Inches)	20" x 41" x 43"
	Weight (Lbs.)	311
	Shipping Weight (Lbs.)	361
	Ceiling Kit Weight (Lbs.)	47
	Shipping Weight w/ Ceiling Kit	408
SAFETY DEVICE DATA	Compressor Overload	Internal
	Fan Motor Overload	Automatic Internal
	Evaporator Freeze Protection	Hot Gas Bypass
	High Pressure Switch	Manual
	Low Pressure Switch	Automatic
	Compressor Short Cycle	Yes
	Automatic Restart	Yes
	Thermostat Type	Microprocessor/Digital
	Condensate Pump Over ow	Yes
	Condensate Tank Over ow	Yes



KIB2411-2

- 1. Cold Air Supply
- 2. Kool Pad Control Pad
- 3. Cold Air Return
- 4. Vent Control
- 5. Access Door
- 6. Condensate Nipple
- 7. Condensate Alarm Jack
- 8. Cord Storage
- 9. Condenser Air Inlet
- 10. Condenser Air Outlet



KWIKOOL.COM